

4

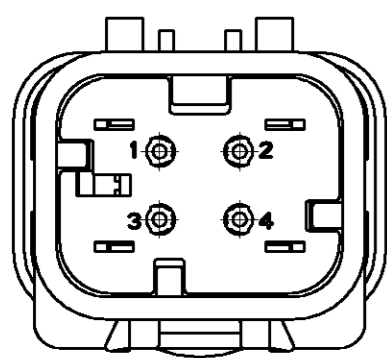
3

2

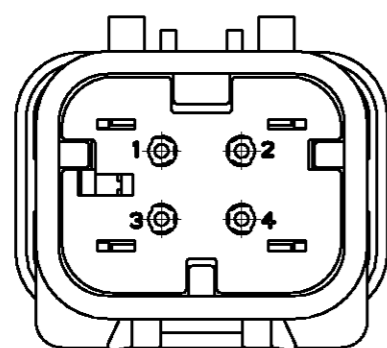
1

THIS DRAWING IS UNPUBLISHED. RELEASED FOR PUBLICATION
© COPYRIGHT 20 BY TYCO ELECTRONICS CORPORATION. ALL RIGHTS RESERVED.

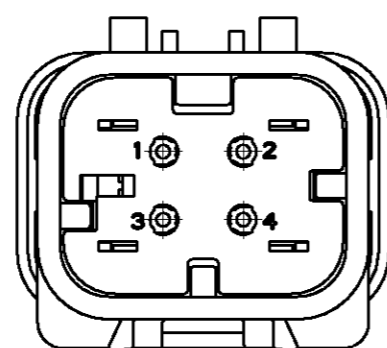
LOC	DIST	REVISIONS					
GE	00	P	LTR	DESCRIPTION	DATE	DWN	APVD
		2		REV PER EC OK40-0631-03	11NOV2003	WH	JP
		3		REV PER EC OK40-0246-04	19JUL2004	WH	JP
		A		REV PER EC OK40-0345-04	29SEP2004	WH	JP
		B		REV PER ECR-05-004330	07JUN2005	WH	RS



776536-2
SCALE 2:1



776536-3
SCALE 2:1



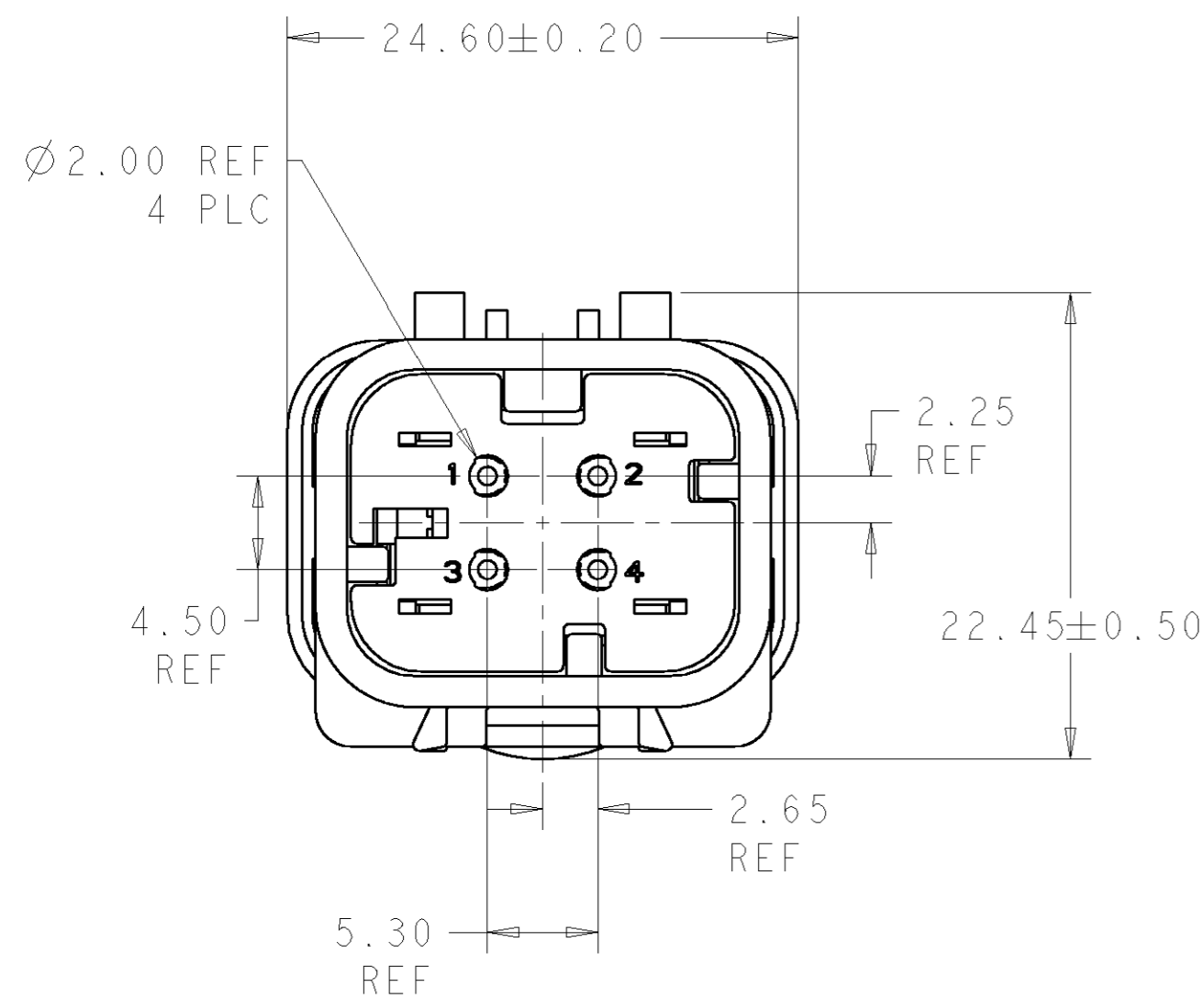
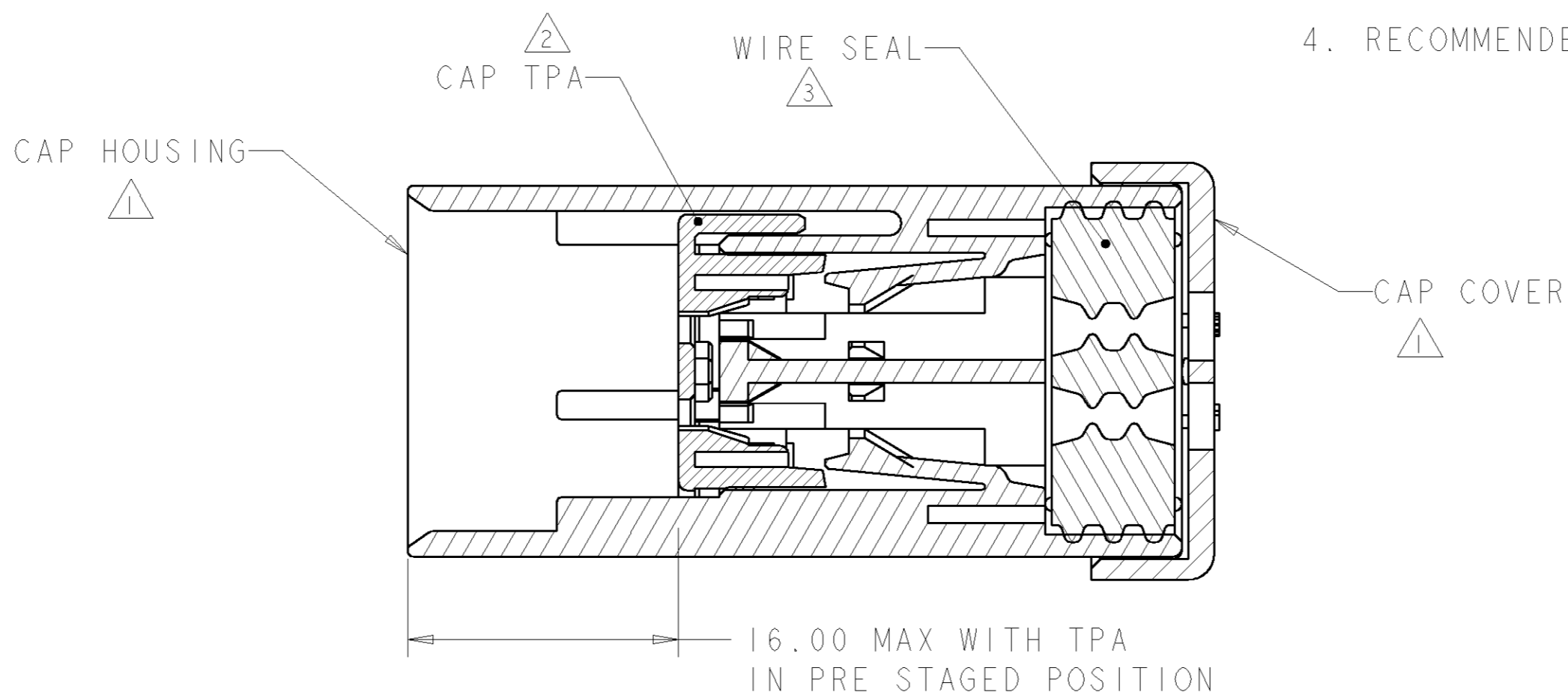
776536-4
SCALE 2:1

1 MATERIAL: 15% GLASS FILLED THERMOPLASTIC
COLOR: BLACK

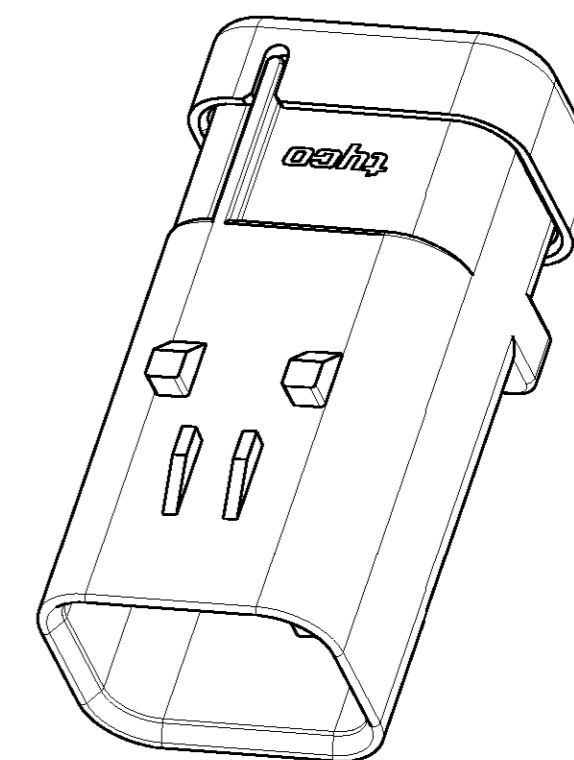
2 MATERIAL: 15% GLASS FILLED THERMOPLASTIC
COLOR: (SEE TABLE)

3 MATERIAL: SILICONE
COLOR: ORANGE

4. RECOMMENDED WIRE DIAMETER RANGE IS 1.30 TO 2.30mm



776536-1 SHOWN



SCALE 2:1

GREEN	776536-4
YELLOW	776536-3
GRAY	776536-2
RED	776536-1
TPA COLOR	PART NUMBER

THIS AMP PROPRIETARY INFORMATION IS CONFIDENTIAL AND IS DISCLOSED TO YOU ON CONDITION THAT NO FURTHER DISCLOSURE IS MADE BY YOU TO ANYONE OTHER THAN AMP PERSONNEL WITHOUT WRITTEN AUTHORIZATION FROM AMP INCORPORATED, HARRISBURG, PA.

<small>THIS DRAWING IS A CONTROLLED DOCUMENT FOR TYCO ELECTRONICS CORPORATION. IT IS SUBJECT TO CHANGE AND THE CONTROLLING ENGINEERING ORGANIZATION SHOULD BE CONTACTED FOR THE LATEST REVISION.</small>		DWN: W. HOELSCHER CHK: J. PATTERSON APVD: D. KLEIN	04SEP2003 04SEP2003 04SEP2003	tyco Electronics	AMP Incorporated Harrisburg, PA 17105-3608
DIMENSIONS: mm 		TOLERANCES UNLESS OTHERWISE SPECIFIED: 0 PLC ± 1 PLC ± 2 PLC ± 3 PLC ± 4 PLC ± ANGLES ± FINISH		NAME: CAP ASSEMBLY, 4 POSITION, 2 ROW, AMPSEAL 16 CONNECTOR REDUCED DIA WIRE SEAL PRODUCT SPEC: - APPLICATION SPEC: 114-13065 WEIGHT: - CUSTOMER DRAWING	
MATERIAL: -		SIZE: A2 CAGE CODE: 00779 DRAWING NO: G-776536		RESTRICTED TO: - SCALE: 3:1 SHEET 1 OF 1 REV B	